



**ELEIKO XF 80 SMITH KIT**

**ELEIKO**



# IMPORTANT SAFETY INSTRUCTIONS

## CAUTION

Read this owners manual before any usage on the ELEIKO equipment.

The equipment must be installed and used in a place whose access and supervision are specifically controlled by the owner.

Be sure to install the equipment on a stable base and properly level the equipment. ELEIKO recommends that all equipment is secured to floor and installed by a licensed contractor or an ELEIKO-installer.

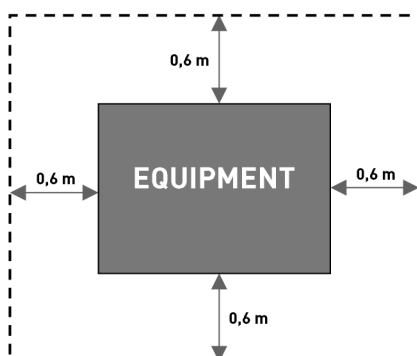
## WARNING! READ SAFETY INSTRUCTIONS

It is the responsibility of the purchaser of ELEIKO products to instruct all users and supervising personnel on proper usage of the equipment.

- All included warnings (labels) and instructions **MUST** be read before the use of any ELEIKO-equipment. Use each equipment as it is intended for.
- A user **MUST** get a medical examination and proper instructions before the use of any ELEIKO-equipment.
- Don't exceed the max user weight
- Don't exceed the maximum load capacity
- A user **MUST** never use the equipment unattended.
- Inspect the machine before usage after mounting and installation. **NEVER** use Eleiko-equipment that has missing parts or is not complete.
- **DO NOT** let anyone, under any circumstances, use equipment that appears to be damaged. Do not try to repair any equipment without consulting an ELEIKO technician.
- **DO NOT** replace the components of ELEIKO-equipment with other none ELEIKO equipment (magnetic safety pin, frames, bars, bolts), do not improvise. If there are any doubts consult an ELEIKO representative prior to any intervention.
- **DO NOT** overload the equipment
- **DO NOT** try to exceed personal strength levels.
- Keep children under the age of 14 away from the equipment and teenagers must be supervised.
- **DO NOT** remove any safety labels from the ELEIKO-equipment. ELEIKO is not responsible if a label is removed. Replace damaged labels immediately.
- **DO NOT** use this equipment for support during stretching, as this may result in serious injury.

## REQUIRED FOOTPRINT AREA

Leave at least 0,6 m safety clearance for the unit all around it.





## PRODUCT SPECIFICATIONS

TEHNICAL SPECIFICATION	
Overall Dimensions	1953x1968x165 mm / 76.9x77.5x6.5 inches
Weight	52 kg / 114.5 lbs
Shipping Weight	57 kg
Max User Weight	--
Max Load	200 kg

WARRANTY	
Frame (not coating)	10 years
Structural parts	10 years
Weigth stacks	5 years
Pivot bearings	5 years
Any items not specified	3 years
Upholstery (cables/grips/springs)	6 months
Accessories	6 months

## MAINTENANCE CHECKLIST

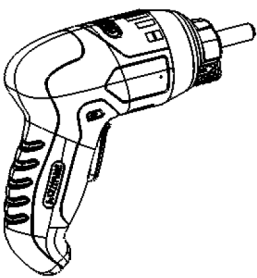
ACTION	HOW OFTEN?
Clean *Upholstery	Daily
Inspect Hardware (Bolts tightened)	Monthly
Inspect Frame	Monthly
Inspect J-cup plastic	Daily
Inspect Rollers	Daily
Clean Machine	As Needed
Clean Grips	As Needed
Lubricate Guide Rods	As Needed

\*Upholsteries: Use a damp microfiber cloth to clean the pads. If necessary, use a cleaning agent that is neutral or slightly alkaline. PH 7-9. Spray water or washing solution on cloth and wipe padding surface clean. To remove more stubborn stains, spray the spray directly onto the stain, allow the substance to act for 5 minutes, and wipe the surface with a cloth. Do not use a wet cleaning method, padding seams are not waterproof and wet cleaning can cause irreversible damage. It is not advisable to use abrasive products (rough noodle, rubbing board, beard) to clean the pads, which can damage the padding surfaces. Do not use alcohol or solvent-based cleaners

## UNPACKING

Thank you for purchasing a Eleiko product. Your Eleiko product is inspected before it is packaged. It is shipped in multiple pieces to facilitate the compact packaging of the machine. Prior to assembly, confirm all the components by matching them with the exploded diagrams. The weight stack is shipped in separate packaging to reduce the weight of this box. Carefully unpack the unit from this box and dispose of the packing materials in accordance with your local laws.

## TOOLS REQUIRED FOR ASSEMBLY



**Electrical  
Screwdriver  
with M16  
Socket**

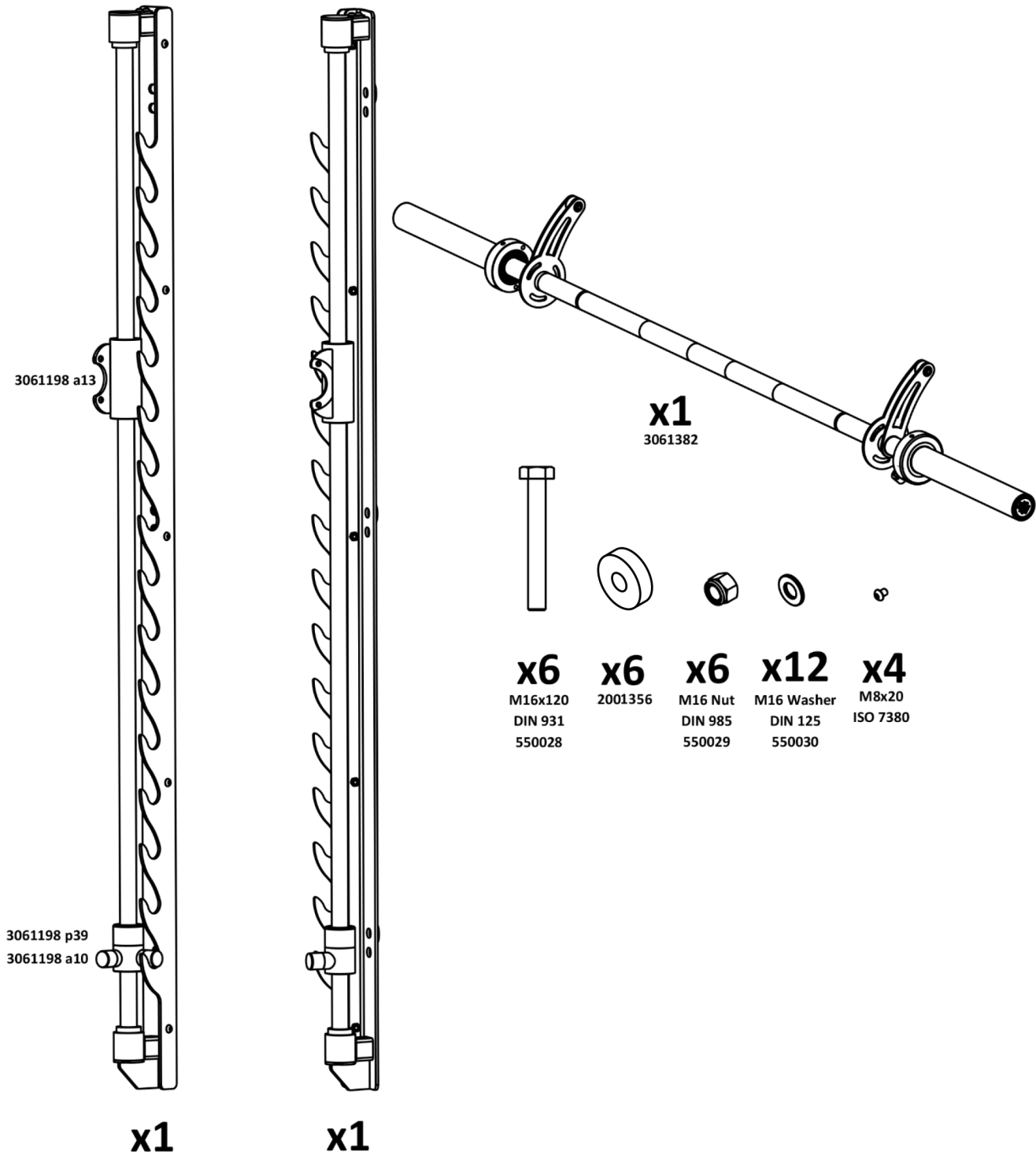


**M16  
Spanner**

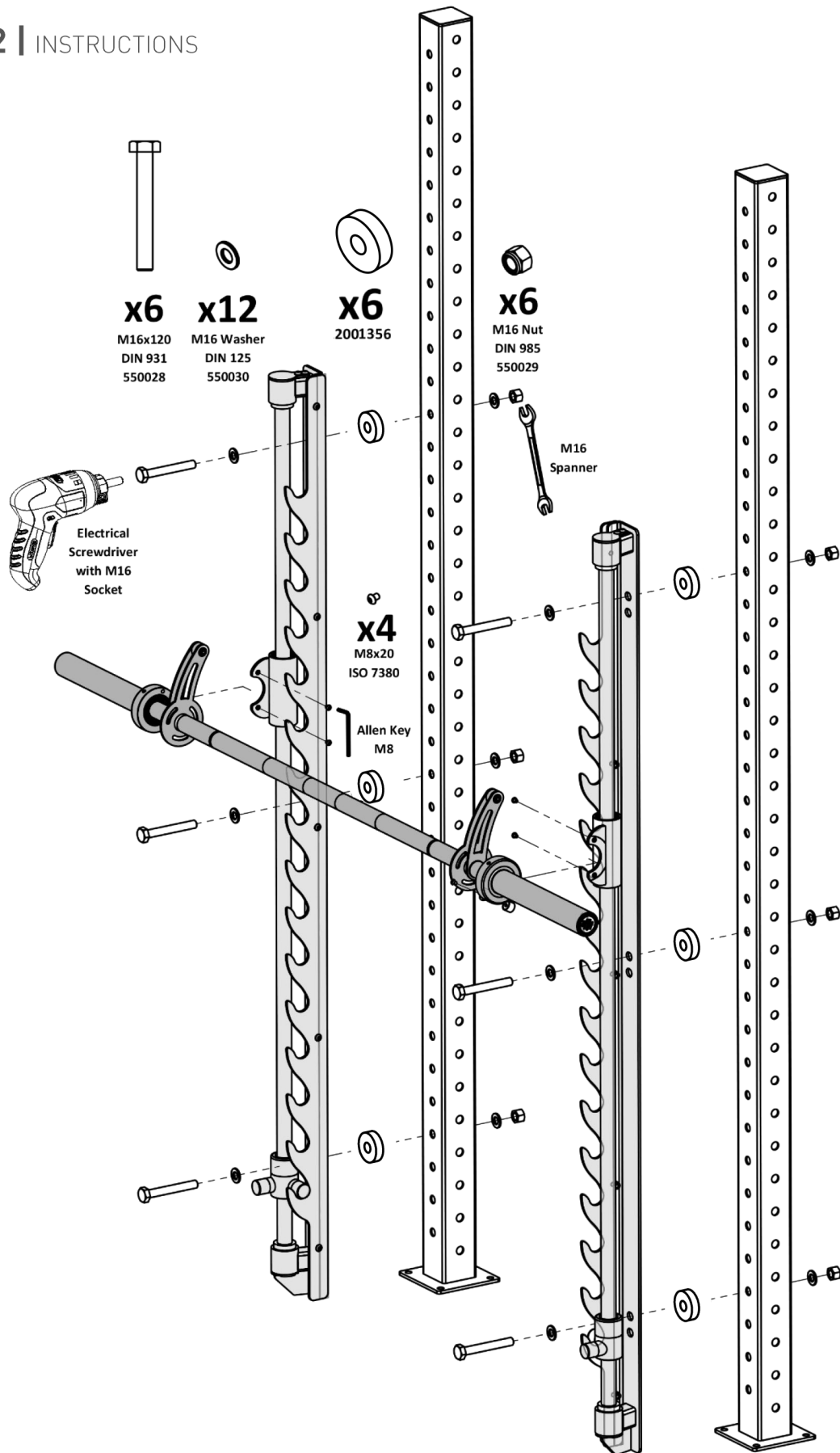


**Allen Key  
M8**

## STEP 1 | VERIFY THAT ALL PARTS ARE INCLUDED

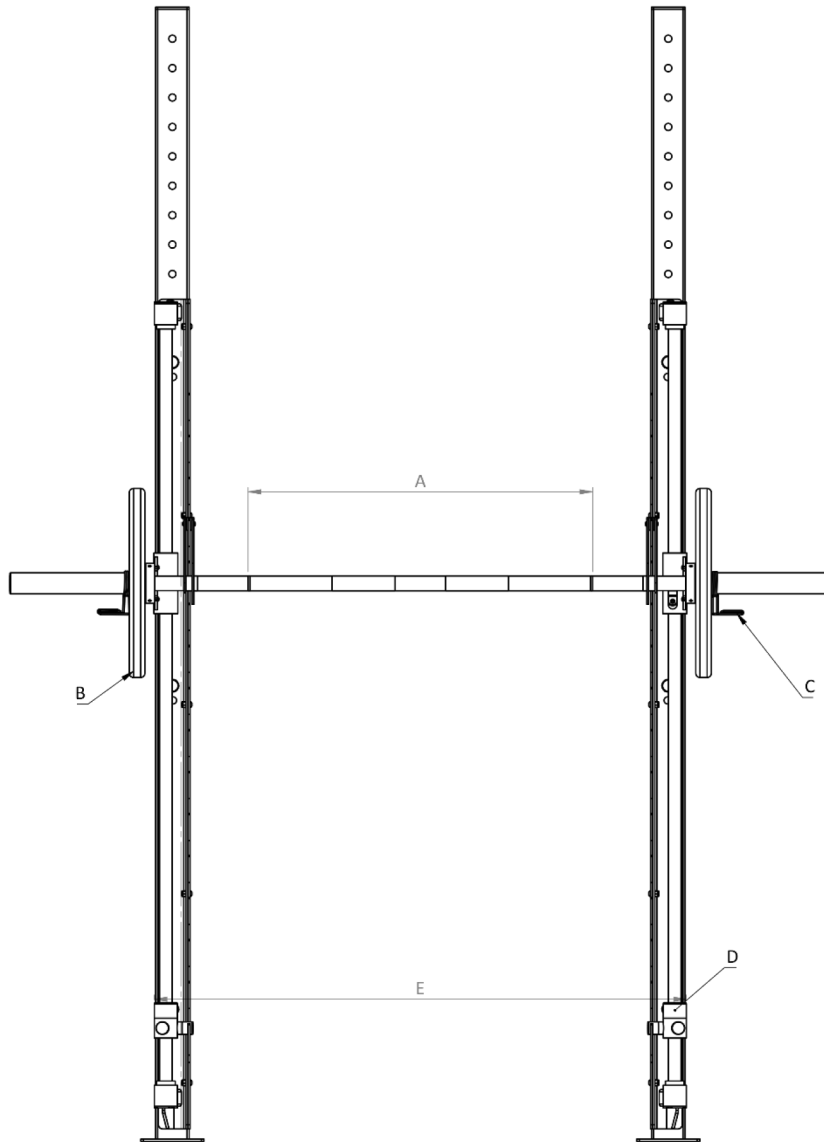


**STEP 2 | INSTRUCTIONS**



# INTENDED USE

This unit is intended to perform a variety of squat exercises. The rack has a fixed barbell which follows a guided path along the chromed shafts. By rotating the barbell you can rack on and rack off.



<b>A</b>	Place your with the grip markings and don't grip too wide
<b>B</b>	Always load the barbell evenly before lifting
<b>C</b>	Always lock the discs on the barbell with a collar on both sides
<b>D</b>	Use safety stop at desired height
<b>E</b>	Make sure the safety stop on both sides are at the same height



## CONTACT



ELEIKO GROUP  
Klastorpsvägen 18  
SE-302 62 Halmstad  
SWEDEN

[info@eleiko.com](mailto:info@eleiko.com)  
Phone: +4635177070